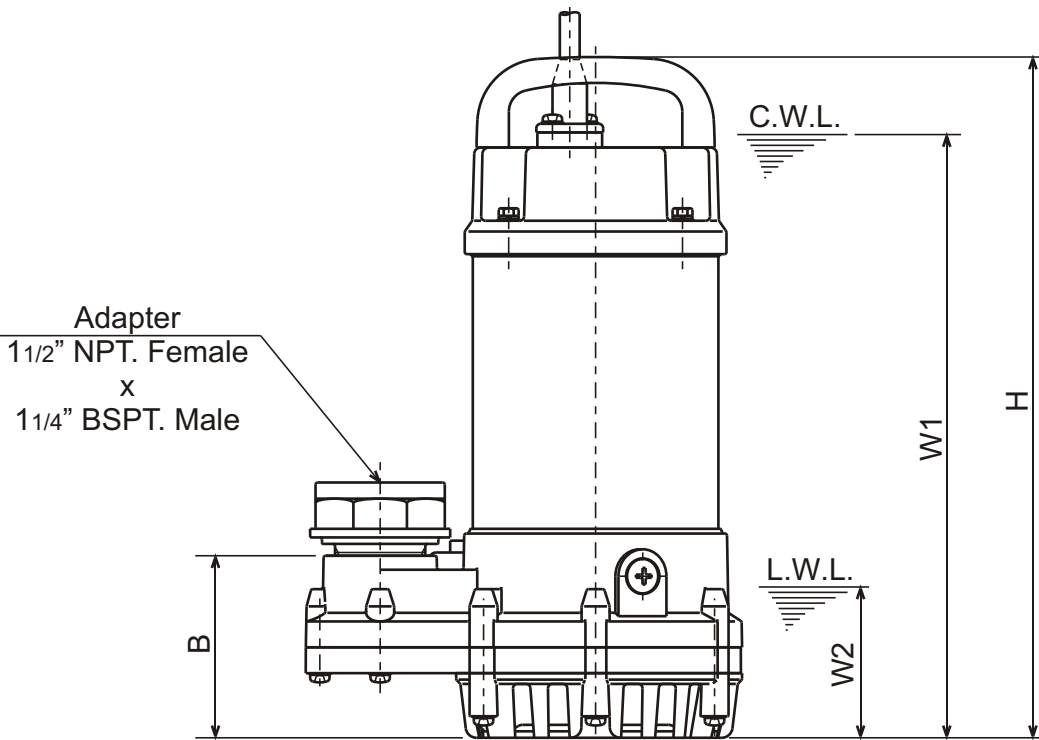
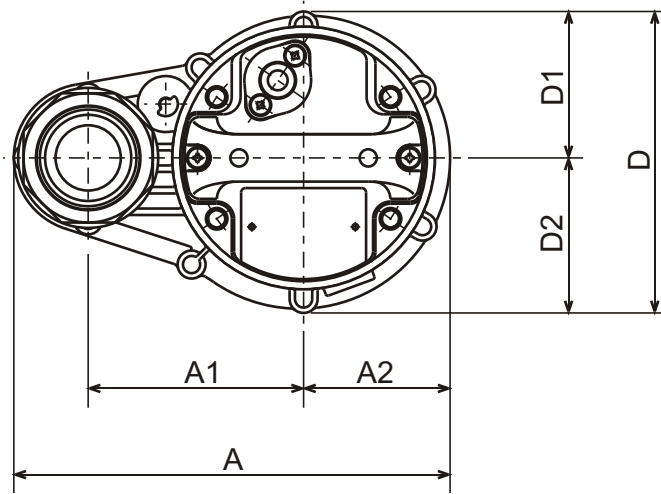




**OM-SERIES**  
**(FRP) SEMI-VORTEX - SUMP PUMPS**

**DIMENSIONS**

**OM3**



C.W.L. : Continuous running Water Level  
L.W.L. : Lowest running Water Level

**DIMENSIONS:USCS (Inch)**

Model	HP	NOM. SIZE	Pump & Motor								C.W.L. W1	L.W.L. W2	Wt. (lbs.)
			A	A1	A2	B	D	D1	D2	H			
OM3	1/5	1 1/2"	8	3 15/16	2 11/16	3 3/8	5 1/2	2 11/16	2 13/16	12 7/16	11	2 3/4	13.0

**DIMENSIONS:METRIC (mm)**

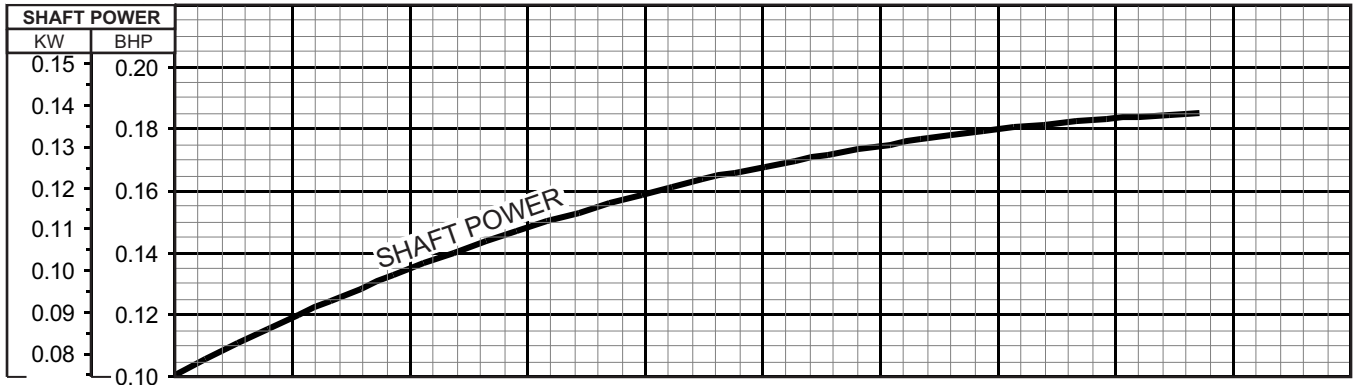
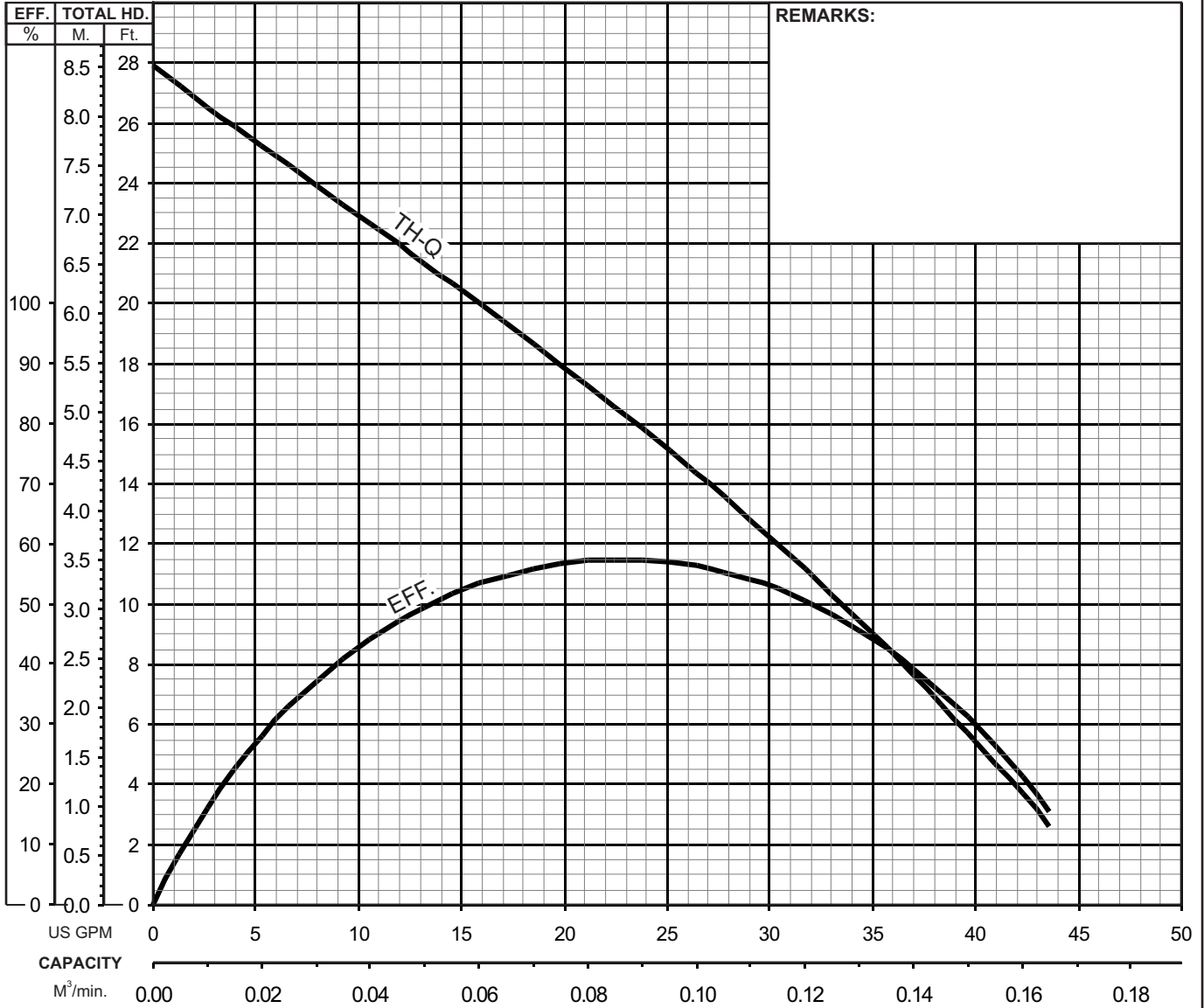
Model	kW	NOM. SIZE	Pump & Motor								C.W.L. W1	L.W.L. W2	Wt. (kg)
			A	A1	A2	B	D	D1	D2	H			
OM3	0.15	40	203	100	68	85	140	68	72	316	280	70	5.9

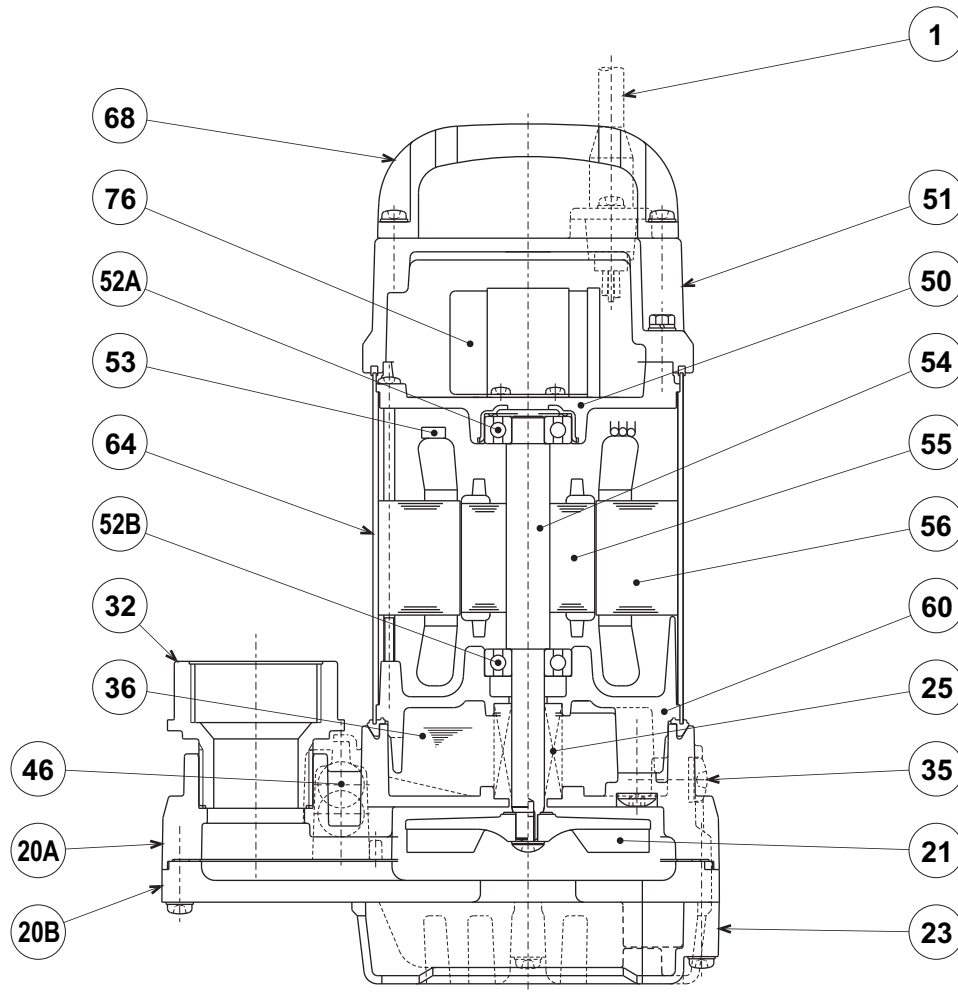


**OM - SERIES**  
**(FRP) SEMI-VORTEX - SUMP PUMPS**

**PERFORMANCE**  
**CURVE**

MODEL	BORE	HP	KW	RPM	SOLIDS DIA	LIQUID	SG.	VISCOSITY	TEMP.
OM3, OMA4	1 1/2"/40mm	0.20	0.15	3430	0.394"/10mm	Water	1.0	1.123 cSt	60°F
PUMP TYPE	PHASE	VOLTAGE		AMPERAGE		HZ	STARTING METHOD		INS. CLASS
Semi-Vortex - Sump Pump	Single	115 / 120 / 230		3.2 / 3.1 / 1.6		60	Capacitor-Start		E
CURVE No.	DATE	PHASE	VOLTAGE	AMPERAGE	HZ	STARTING METHOD		INS. CLASS	
-	-	-	-	-	-	-		-	



**TSURUMI PUMP**
**OM - SERIES**  
**(FRP) SEMI-VORTEX - SUMP PUMPS**
**SECTIONAL VIEW****OM3**

PART#	DESCRIPTION	MAIN MATERIAL / NOTE	RELATED ASTM, AISI CODE	RELATED EN CODE	QTY
1	Power Cable	PVC Sheath AWG18/3-20ft			1
20A	Upper Pump Casing	PPS Plastic w/GF40			1
20B	Lower Pump Casing	ABS Plastic w/GF20			1
21	Impeller	PPO Plastic w/GF20			1
25	Mechanical Seal	Silicon Carbide / D-12RC			1
32	Adapter	PVC / NPT 1 1/2" Female x BSPT 1 1/4" Male			1
35	Oil Plug	Stainless Steel	S 30400	1.4301	1
36	Lubricant	White Mineral Oil ISO VG32			
46	Air Valve	Glass Ball			1
50	Motor Bracket	Aluminum Alloy Die Casting	B85 383.0	EN 1706 AC-46100	1
51	Motor Head Cover	PPS Plastic w/GF40			1
52A	Upper Bearing	#6201ZZC3			1
52B	Lower Bearing	#6201ZZC3			1
53	Motor Protector				1
54	Shaft	Stainless Steel	S 42000	1.4028	1
55	Rotor				1
56	Stator				1
60	Bearing Housing	Aluminum Alloy Die Casting	B85 383.0	EN 1706 AC-46100	1
64	Motor Housing	Stainless Steel	S 30400	1.4301	1
68	Handle	ABS Plastic			1
76	Capacitor				1

PARTS LIST		SUBMERSIBLE PUMP			7/9/2015	
ITEM	PART No.	DESCRIPTION	QTY	SIZE	MATERIAL	NOTES
1	001-002-46	Cabtyre Cable Set (20')115V-60Hz(USA)	1	VCT3Cx0.75mm2(USA3P)	F-14	
	001-004-32	Cabtyre Cable Set (20')230V-60Hz(USA)	1	VCT3Cx0.75mm2	TF-18	
2	143-146-18	Tapping Screw (w/Plain Washer)	2	M5x20	SUS304	
3	068-000-19	Handle	1		Resin	
4	143-146-18	Tapping Screw (w/Plain Washer)	2	M5x20	SUS304	
5	140-000-34	Hex.Bolt (w/Spring/Plain Washer)	4	M5x25(14L)	SUS304	
6	122-003-17	O-Ring	4	P-5(4.8xd1.9)	NBR	*
7	051-000-14	Motor Head Cover	1		Resin	
8	076-000-55	Capacitor 115V-60Hz(USA)	1	28MF-220VAC(85)	(T)	interchangable with OLD part# 076-000-23
	076-000-24	Capacitor 230V-60Hz(USA)	1	28MF-220VAC		
9	143-000-22	Pan Tapping Screw	1	M3x10	SWCH	
10	143-086-22	Pan Screw (w/Spring Washer)	2	M4x8	SWRM	
11	127-000-23	Capacitor Fixing Plate	1		SPCC	
12	143-000-21	Pan Screw	4	M4x115(30L)	SS	
13	121-001-06	Packing	1	d110.5xd115.5x4.5t	NBR	*
14	140-452-11	Hex.Bolt (w/Spring/Plain Washer)	1	M4x8	C3604	
15	009-000-46	Earth Terminal	1Set	1.25mm2x175L		
16	050-000-34	Motor Bracket	1		ADC	
17	142-388-11	Wave Washer	2	6201(D=30.6)	S65CM	
18	052-100-15	Bearing	1	6201ZZC3		
19	055-002-17	Rotor	1Set	w/Bearing		
20	052-100-15	Bearing	1	6201ZZC3		
21	056-002-19	Stator(w/M.Frame) 115V-60Hz(USA)	1Set	w/Miniature Protector		
	056-002-21	Stator(w/M.Frame) 230V-60Hz(USA)	1Set	w/Miniature Protector		
22	060-001-18	Bearing Housing	1		ADC	
23	025-000-42	Mechanical Seal	1	D-12RC	SSIC	
24	121-001-11	Packing	1	40PU2.15-52/62	NBR	*
25	121-246-11	Packing	1	d10.3xd16x2t	PE	*
26	035-127-15	Oil Plug	1	M10x15	SUS304	
27	020-001-22	Pump Casing (Upper)	1	OM(A)2	Resin	
28	143-000-26	Truss Screw (w/O-Ring)	4	M6x20(P-5,NBR)	SUS304	*
29	203-065-11	Valve	1	d17	Glass	
30	121-000-48	Packing	1	OM(A)2	NBR	*
31	142-390-16	Conical Spring Washer	1	d9.2xd18x0.7t	SUS304	
32	021-004-72	Impeller (60Hz)	1	OM3	Resin	
33	143-173-14	Truss Screw (w/Plain Washer)	1	M5x10	SUS304	
34	020-001-23	Pump Casing (Lower)	1	OM(A)2	Resin	
35	143-000-15	Tapping Screw (w/Plain Washer)	3	M5x30	SUS304	
36	023-000-42	Strainer Stand	1	OM2	Resin	
37	143-000-18	Tapping Screw (w/Plain Washer)	6	M5x50	SUS304	
	032-000-30	Bush	1	NPT-1 1/2(OM2)	Resin	
		<b>Packing O-Ring Set</b>				
	173-000-99	Packing O-Ring Set	1Set	(Marked by *)		
6	122-003-17	O-Ring (Head Cover Screw)	4	P-5(4.8xd1.9)	NBR	*

\* Indicates items included in set



MODEL **OM3**

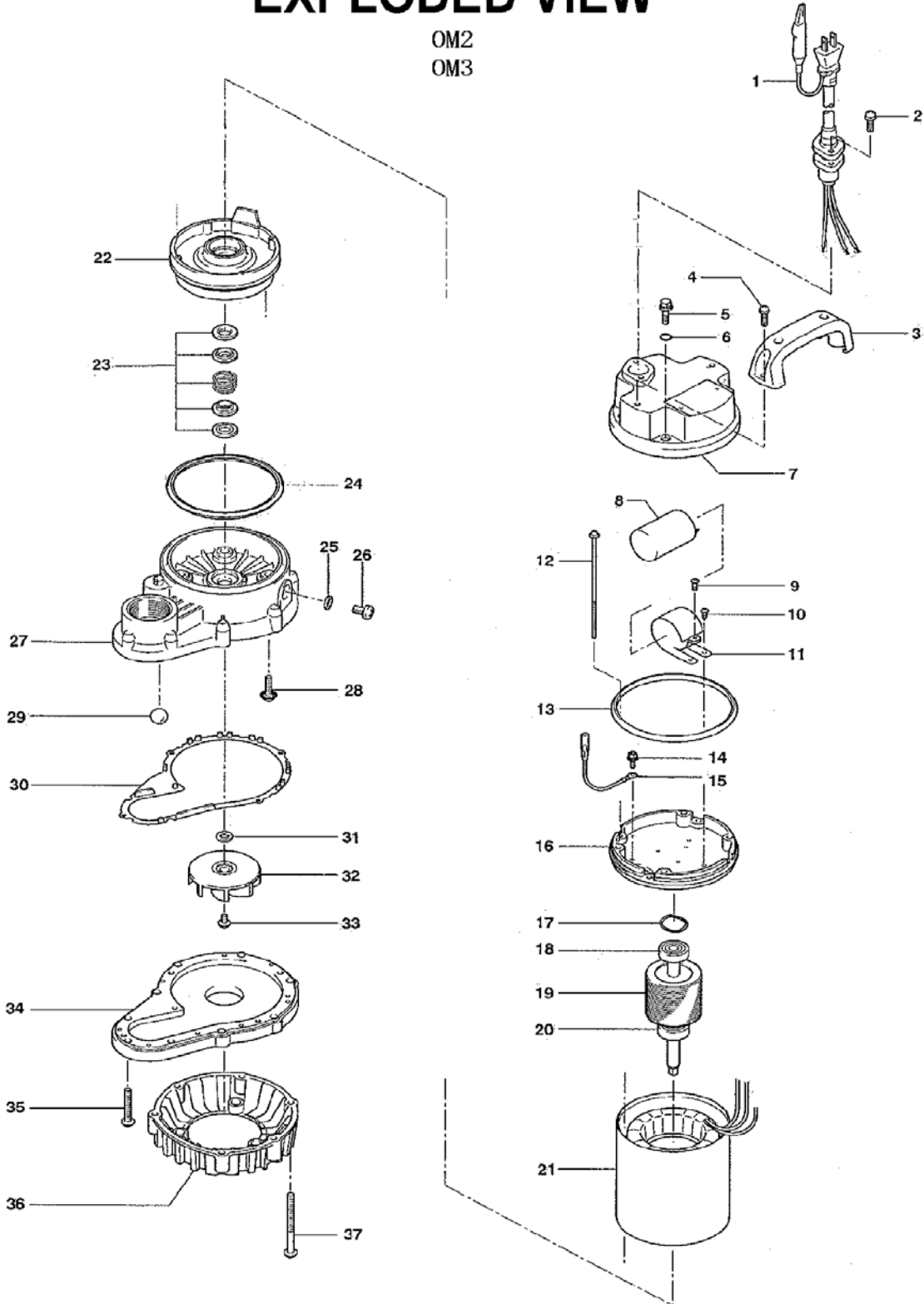
PARTS LIST		SUBMERSIBLE PUMP				7/9/2015
ITEM	PART No.	DESCRIPTION	QTY	SIZE	MATERIAL	NOTES
13	121-001-06	Packing (Head Cover/M.Frame)	1	d110.5xd115.5x4.5t	NBR	*
24	121-001-11	Packing (M.Frame/Upp. P.Casing)	1	40PU2.15-52/62	NBR	*
25	121-246-11	Packing (Oil Plug)	1	d10.3xd16x2t	PE	*
28	122-003-17	O-Ring (P.Casing Screw)	4	P-5(4.8xd1.9)	NBR	*
30	121-000-48	Packing (Upp./Low. P.Casing)	1	OM(A)2	NBR	*
		Lubricant		Liquid Paraffin VG32		
				165ml		

\* Indicates items included in set

PARTS LIST		SUBMERSIBLE PUMP			7/9/2015	
ITEM	PART No.	DESCRIPTION	QTY	SIZE	MATERIAL	NOTES

## EXPLODED VIEW

OM2  
OM3



C-00000-1